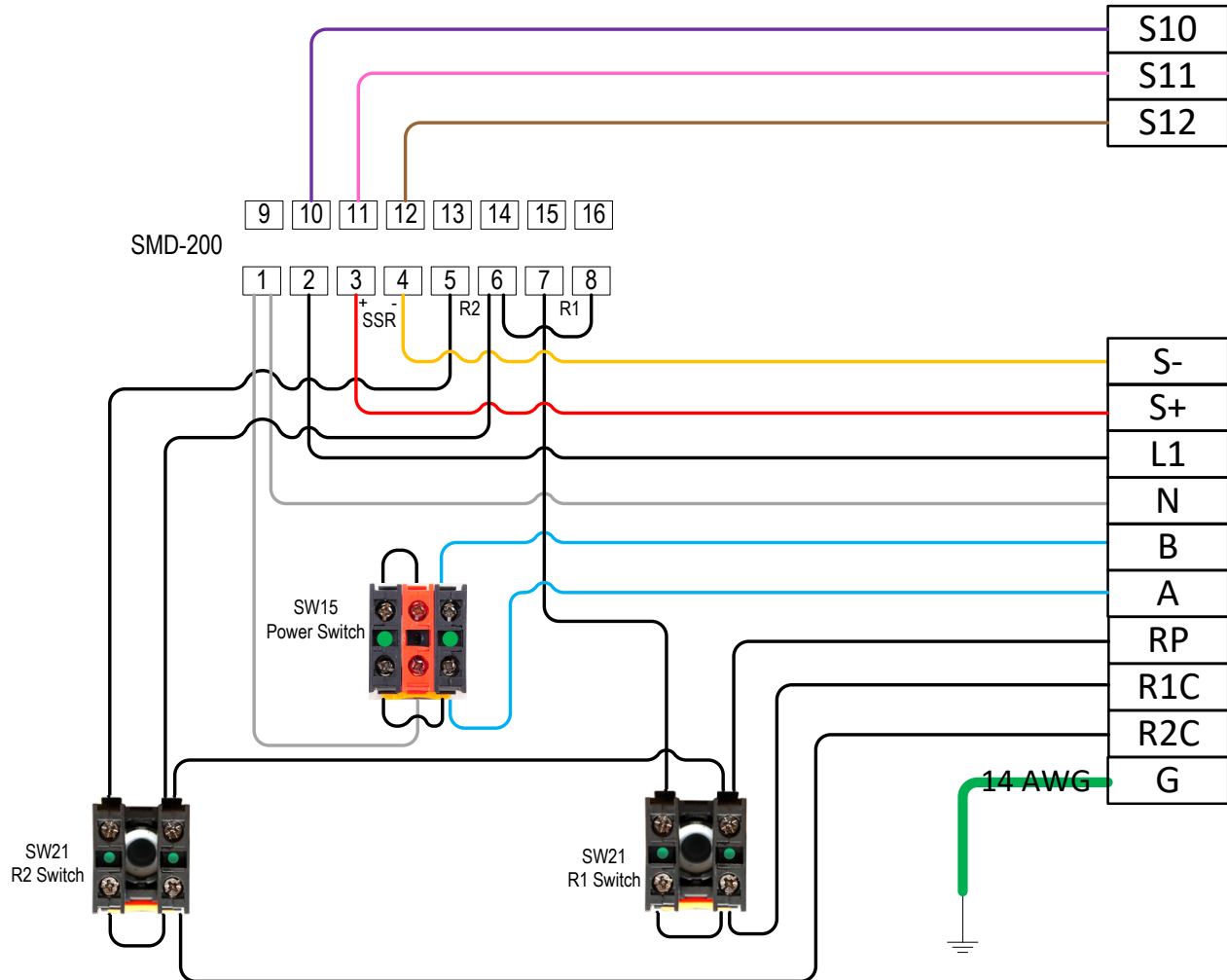


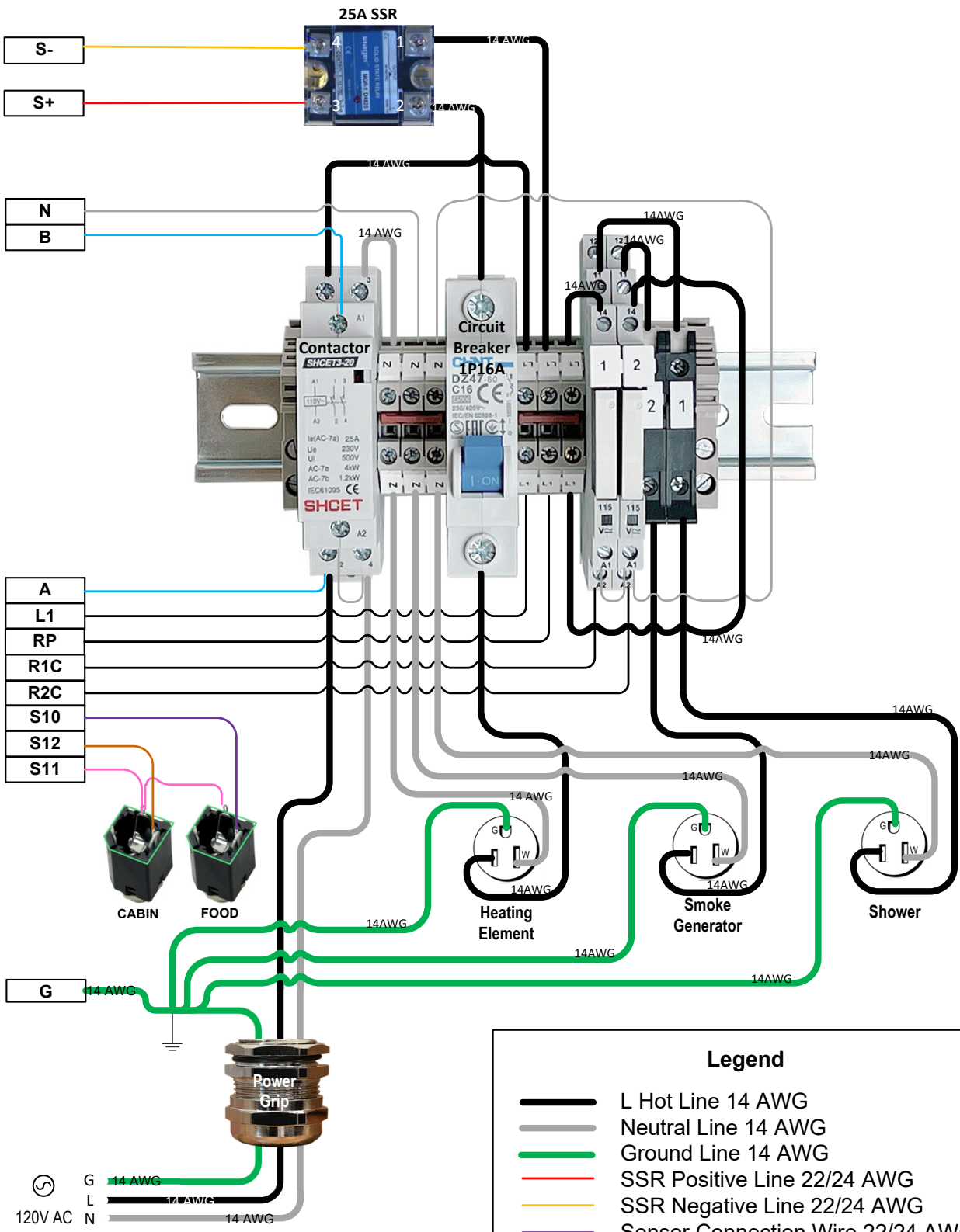
SMK102B Front Panel Wiring Diagram



Legend

- Hot Control Line 22/24 AWG
- Neutral Control Line 22/24 AWG
- Grounding Wire 14 AWG
- SSR Positive Control Wire 22/24 AWG
- SSR Negative Control Wire 22/24 AWG
- Sensor Connection Wire 22/24 AWG
- Sensor Connection Wire 22/24 AWG
- Sensor Connection Wire 22/24 AWG
- Input Power Control Signal 22/24 AWG

SMK102B Power System Wiring Diagram



Legend

- L Hot Line 14 AWG
- Neutral Line 14 AWG
- Ground Line 14 AWG
- SSR Positive Line 22/24 AWG
- SSR Negative Line 22/24 AWG
- Sensor Connection Wire 22/24 AWG
- Sensor Connection Wire 22/24 AWG
- Sensor Connection Wire 22/24 AWG
- Input Power Control Line 22/24 AWG

Copyright © 2021
www.auberins.com